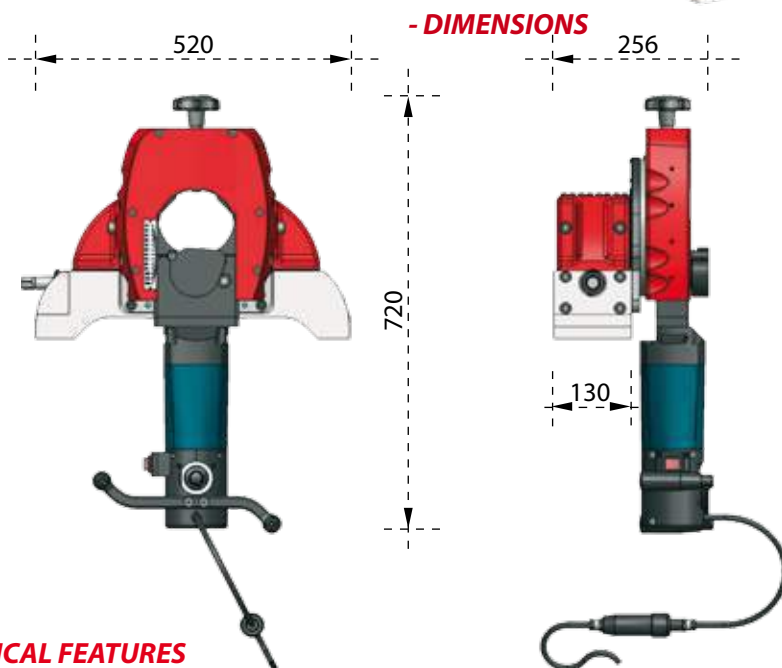


Pipe 4 Orbital Saw

Range 13 - 120 mm (1/2" - 4 1/2")

The new **Pipe4** with a new design and improved performance, such as increased stability and cut precision. The new cam and slide system enables square, burr free cuts.



TECHNICAL FEATURES

Locking range	mm in	13 ÷ 115 1/2" ÷ 4 1/2"
Pipe Thickness	mm	2 ÷ 8
Idle Speed	rpm	200 ÷ 300
Electric power	hp(W)	2200
Voltage	V	110/220
Frequency	Hz	50/60
Max Acoustic Emission	db	75
Weight	kg	85

*Different voltage available on request



speed selector